

Roof:

Pitch - _____
 Shingles - _____
 Felt - _____
 Ice Barrier - _____
 Roof Sheathing - _____
 Truss - Yes _____ No _____
 If No Answer The Following
 Rafter Size - _____
 Rafter Spacing - _____
 Rafter Clear Span - _____
 Rafter Species - _____
 Ridge - _____
 Ceiling Joist Size _____
 Ceiling Joist Spacing- _____
 Ceiling Joist Species- _____
 Insulation - _____
 Roof Ventilation - _____

Walls:

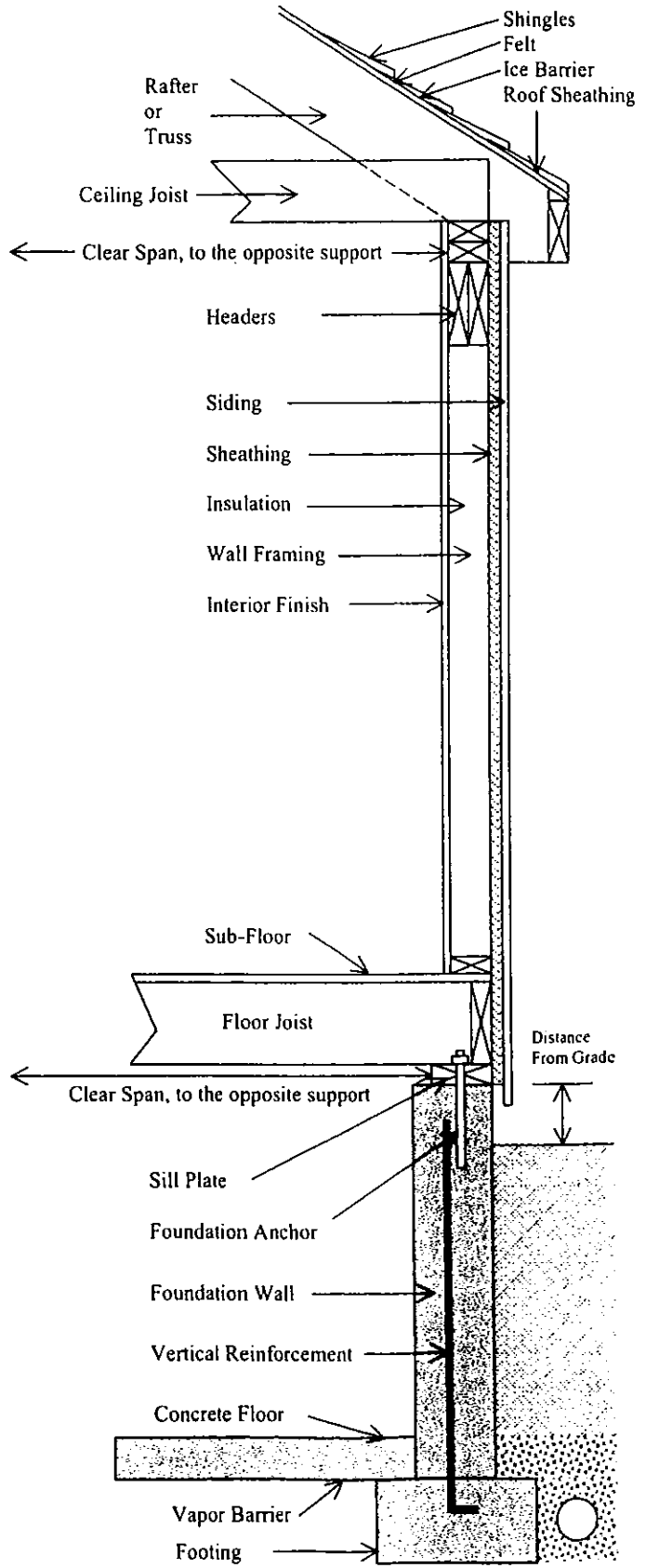
Siding - _____
 Sheathing - _____
 Insulation - _____
 Walls Framing - _____
 Headers - _____
 Interior Finish - _____
 Ceiling Height - _____

Floor:

Sub-Floor - _____
 Floor Joist Size- _____
 Floor Joist Spacing - _____
 Floor Joist Clear Span - _____
 Floor Joist Species - _____
 Beam Type & Size - _____
 Distance From Grade - _____

Foundation:

Anchor Type - _____
 Anchor Spacing - _____
 Sill Plate - _____
 Poured Wall Size - _____
 Block Wall Size - _____
 Vertical Reinforcement - # _____ - _____ o.c.
 Concrete Floor Thickness - _____
 Vapor Barrier - _____
 Column Pad Size - _____ x _____
 Column Spacing- _____
 Footing Width - _____
 Footing Height - _____
 Footing Depth Below Grade - _____



Signature _____